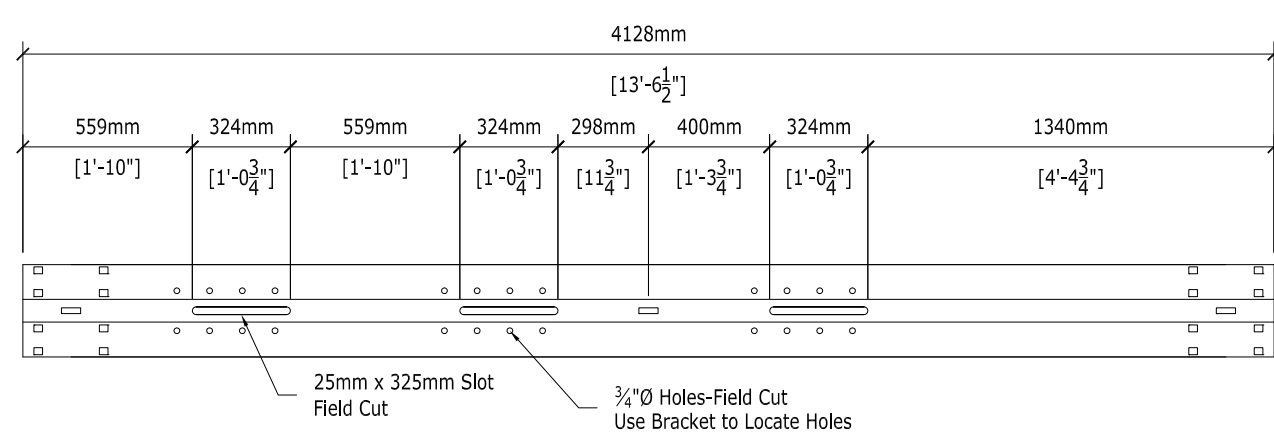
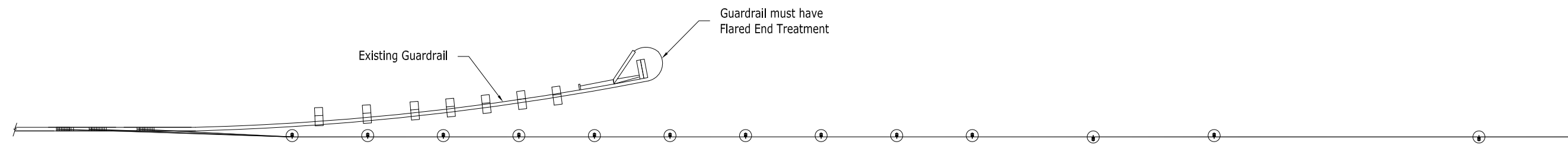
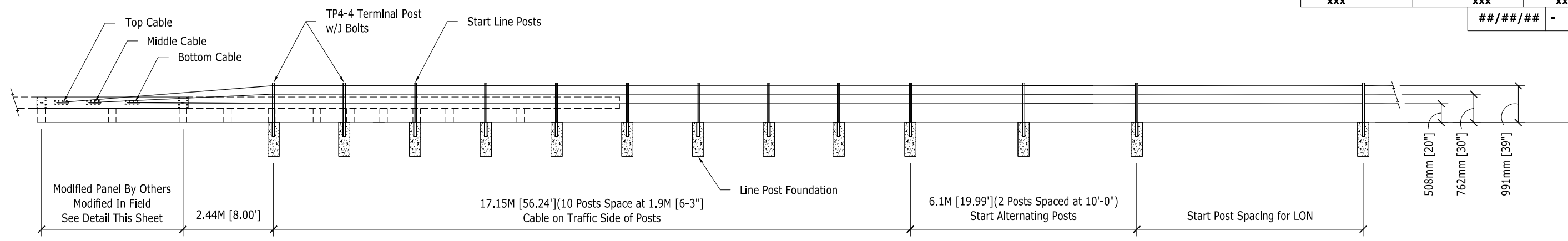
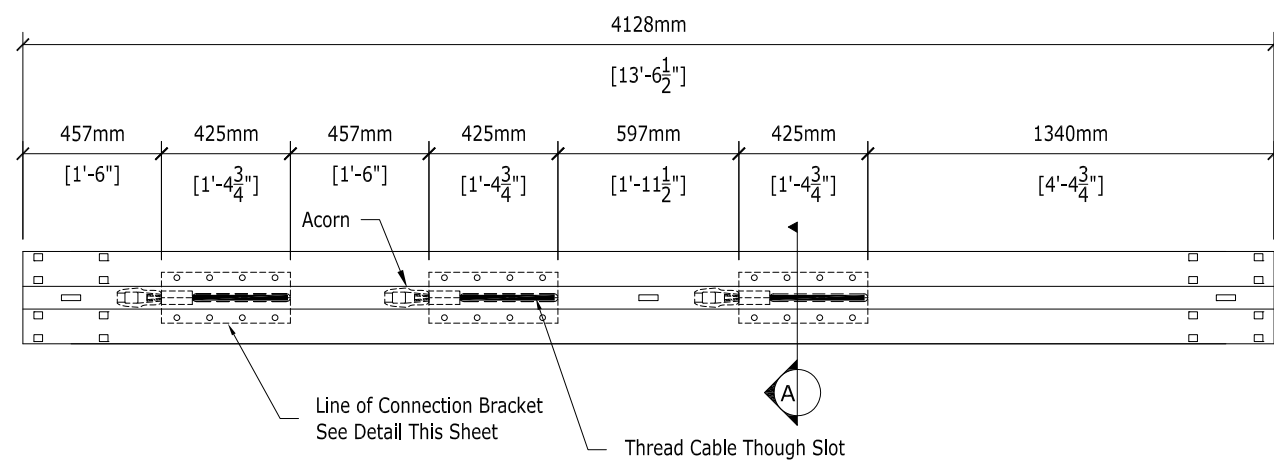


Sheet: <b>01 OF 01</b>	Rev: <b>10</b>	Rev Date: <b>10-18-17</b>	Approver: <b>BH</b>
Job # <b>XXX</b>	Gibraltar Job # <b>XXX</b>	County: <b>XXX</b>	
##/##/## -			



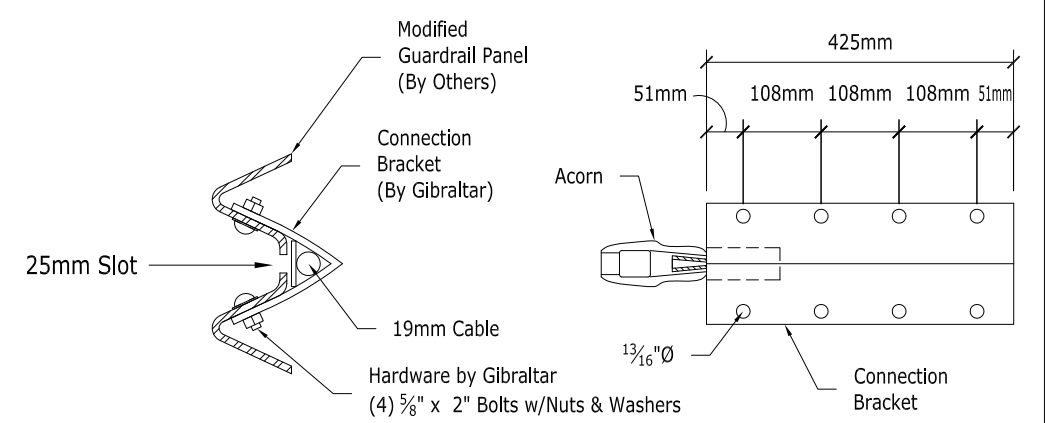
End View

Modified Guardrail Panel



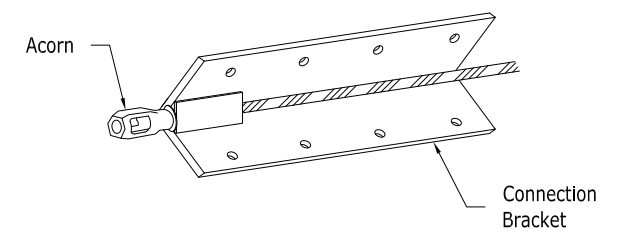
End View

Modified Guardrail Panel w/Connection Bracket Shown



Section A

Connection Bracket



Connection Bracket

PROPRIETARY TO GIBRALTAR

	<b>TL4 Guardrail Transition</b>	
	Gibraltar Cable Barrier Systems	
	Scale: <b>NTS</b>	Date: <b>XX-XX-XX</b>
	Layout: <b>ANSI B</b>	Drafter: <b>BH</b>