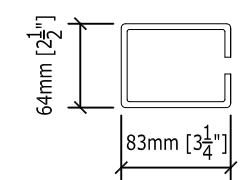
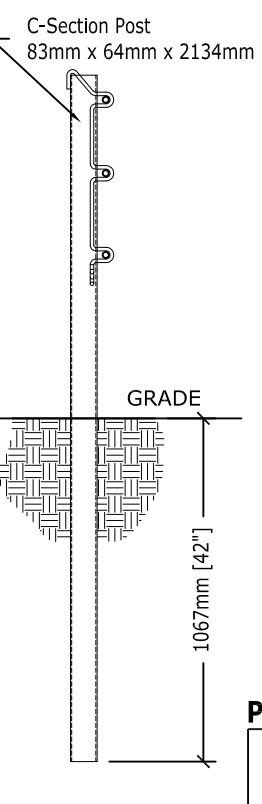
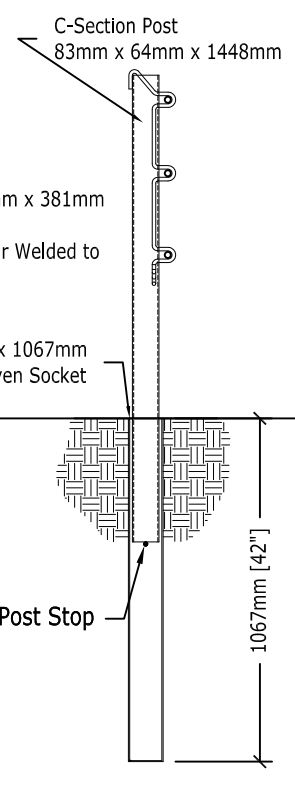
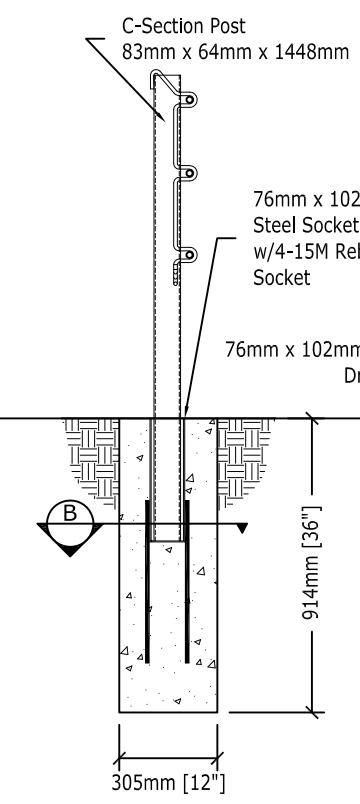
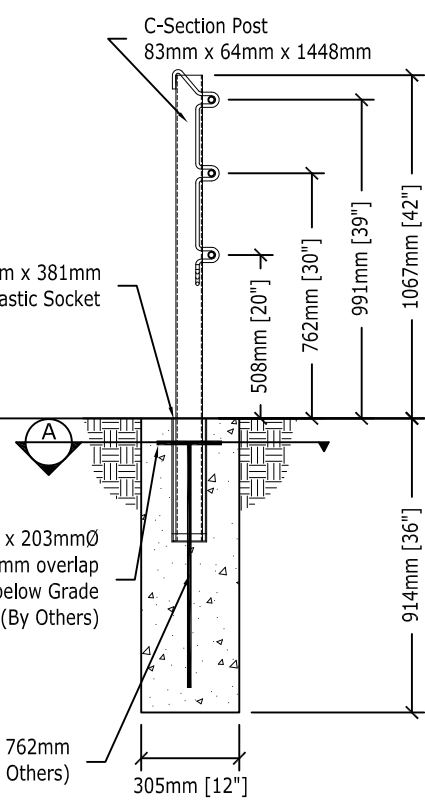
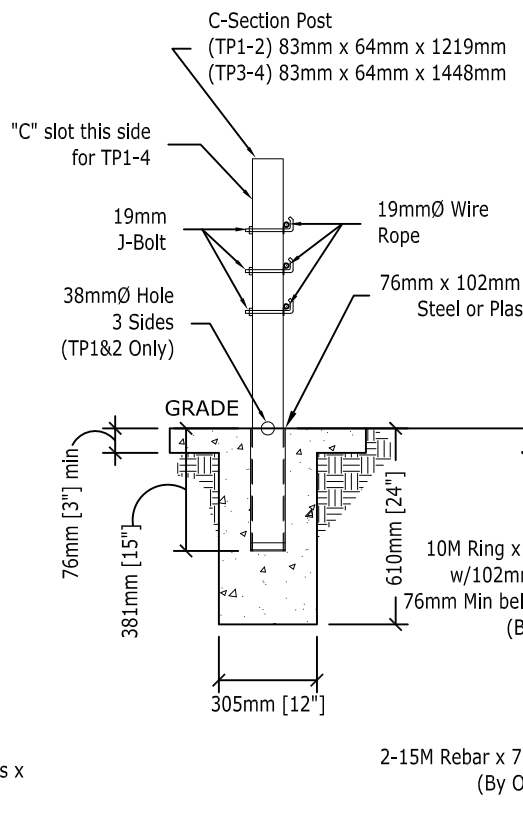
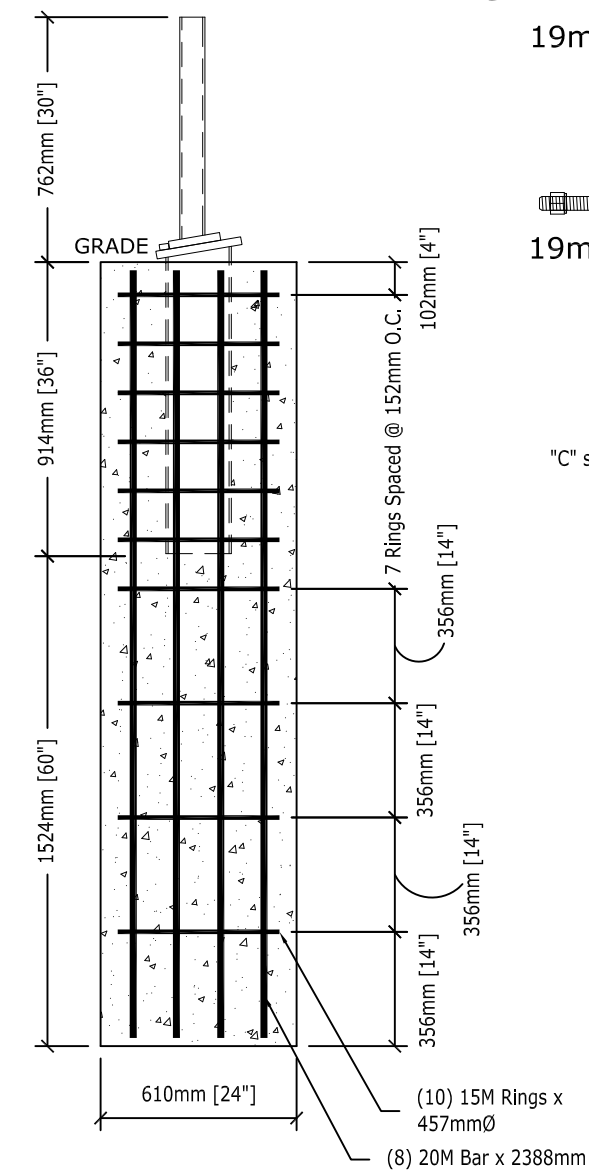
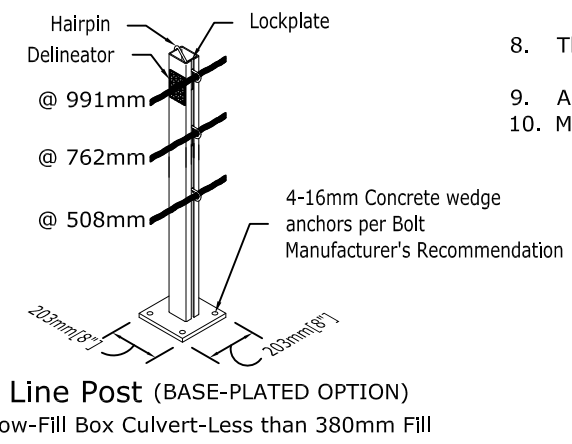
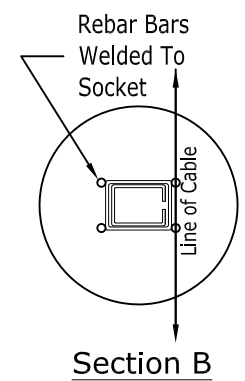
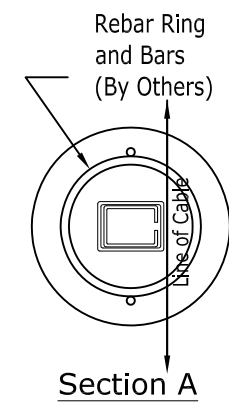
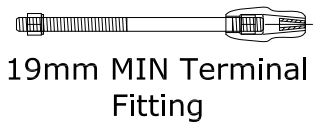
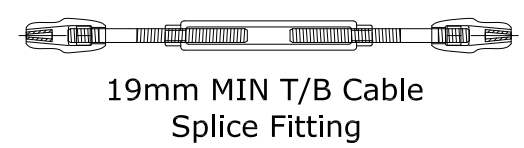


- GENERAL NOTES:**
- For additional information contact Gibraltar, Inc. at 1-833-715-0810 or see the manufacturer's product manual.
 - All concrete shall be per specification; minimum 17.2MPa (2500psi).
 - The Cable Barrier System shall be installed on shoulders or on medians with slopes of 6:1 or flatter. If installed on slopes steeper than 6:1 up to 4:1 the TL-4 system performs as a TL-3 and Gibraltar must be contacted for various guidelines related to placement.
 - The Cable Barrier System is accepted by the FHWA Test Level - 4.
 - See the specification for delineation.
 - Rock Clause: Where solid rock is encountered:
 - For socketed post, continue digging 305mmØ, 381mm deep into rock or the required plan depth, whichever comes first.
 - For driven post, core drill a 102mmØ hole 457mm deep into rock or the required plan depth, whichever comes first.
 - For Anchor post, continue digging 610mmØ, 762mm deep into rock or the required plan depth, whichever comes first.
 - Tolerances:
 - Linepost = 76mm(max) out of plumb, at top
 - Cable height = ±25.4mm
 - Anchor Post ± 127mm off of Cable Reference Line
 - The Gibraltar cable barrier system shall be installed in NCHRP Report 350 standard compacted soil. Soil must be well drained.
 - All non-welded rebar by others.
 - Minimum recommended line post foundation.
 - Without mowstrip, 914mm deep x 305mmØ foundations with 10M rebar ring x 203mmØ with 2-15M rebar vertical bars 762mm long or 762mm welded rebar socket.
 - With 102mm minimum depth hot mix asphalt, 762mm deep x 305mmØ foundations with 10M rebar ring x 203mmØ with 2-15M rebar vertical bars 762mm long or 762mm welded rebar socket.
 - With 76mm minimum depth concrete mowstrip, 610mm deep x 305mmØ foundations. (No rebar required).
 - Direct drive driven post and driven socket 1067mm deep.



°C	kg of Force
-23.3 °C	3629
-17.8 °C	3447
-12.2 °C	3266
-6.6 °C	3084
-1.1 °C	2903
4.4 °C	2722
10 °C	2540
15.6 °C	2359
21.1 °C	2177
26.7 °C	1996
32.2 °C	1814
37.7 °C	1633
43.3°C	1452

Deflection		Post Spacing
Deflection	Post Spacing	
2.82M	9.14M	9.14M
2.44M	6.10M	
2.03M	3.05M	

PROPRIETARY TO GIBRALTAR

TL-4 Cable System Layout

Gibraltar Cable Barrier Systems

Scale: **NTS** Date: **10-18-17**

Layout: **ANSI B** Drafter: **BH**

*Allowable Deviation from Chart +/- 10%