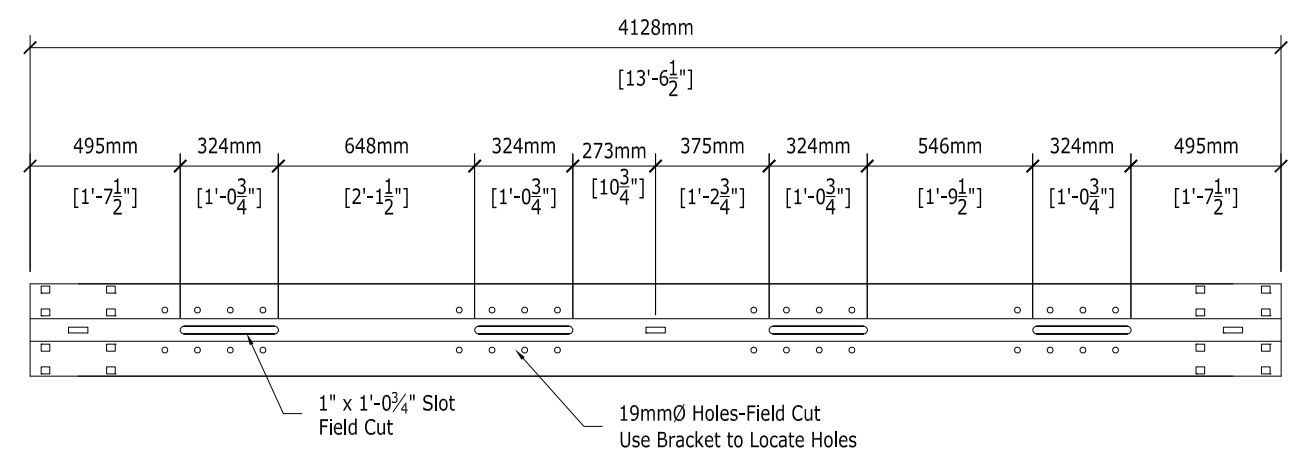
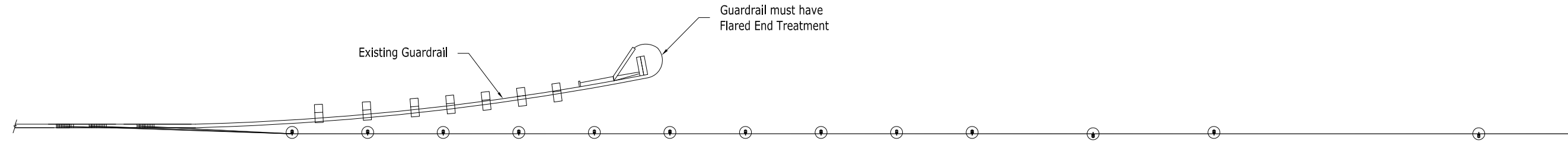
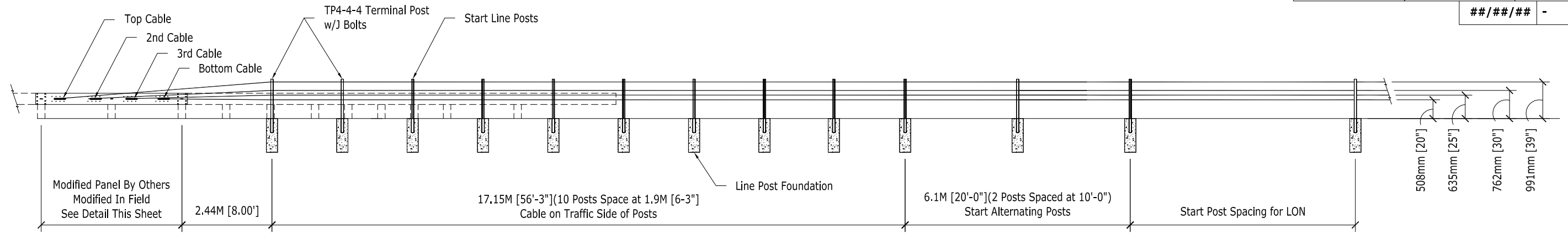
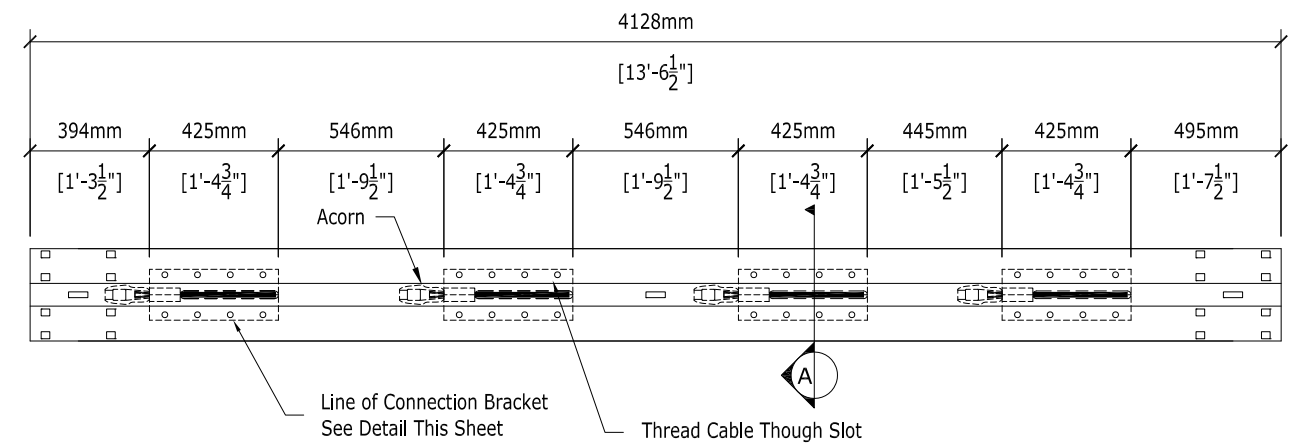


Sheet: 01 OF 01	Rev: 11	Rev Date: 10-18-17	Approver: BH
Job # XXX	Gibraltar Job # XXX	County: XXX	
## / ## / ## -			



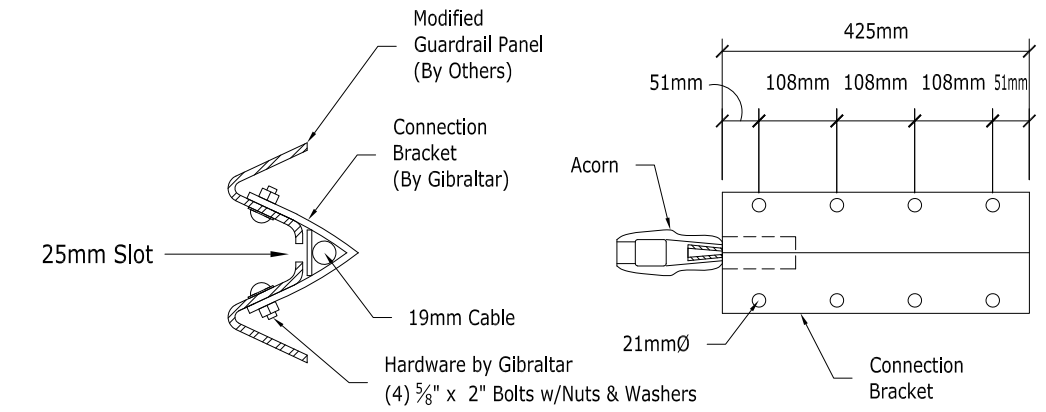
End View

Modified Guardrail Panel



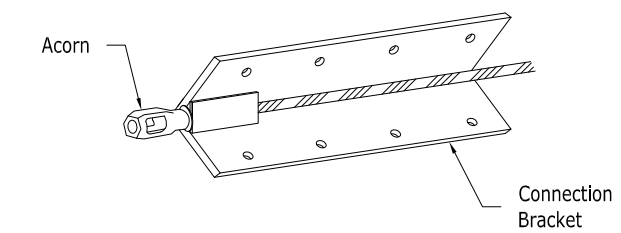
End View

Modified Guardrail Panel w/Connection Bracket Shown



Section A

Connection Bracket



Connection Bracket

PROPRIETARY TO GIBRALTAR



TL4 4 Cable Guardrail Transition	
Gibraltar Cable Barrier Systems	
Scale: NTS	Date: XX-XX-XX
Layout: ANSI B	Drafter: BH